



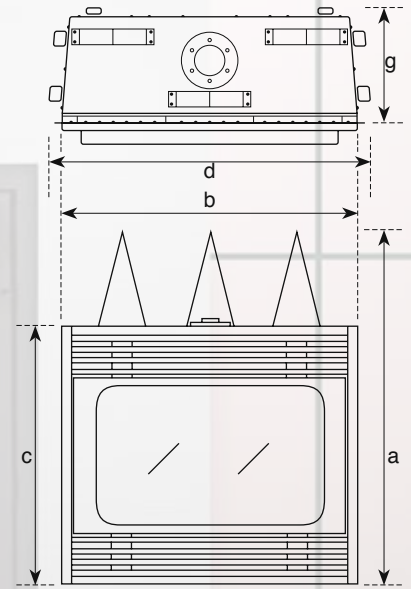
LEGEND
GAS FIRES

DV36

defining luxury and simplicity

www.legendgasfires.com.au





DIMENSIONS

a 1248mm	d 993mm
b 942mm	g 400mm
c 873mm	

ABOUT

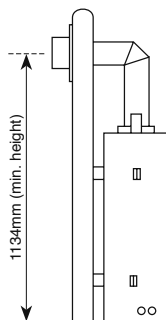
FEATURES

The **Legend DV36** gas fire is a completely sealed, direct vent, gas fire.

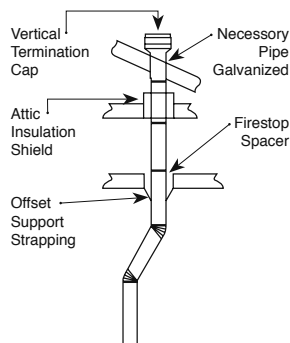
Both beautiful and efficient, the DV36's sealed system works to maintain the air quality in your home by drawing the combustion intake and exhausting from an external system, while maintaining the warmth and character of the flame within its glass fronted fire box.

Boasting warmth, character and a truly versatile range of installation and positioning options, the DV36 offers you the perfect situation for almost any room in your home.

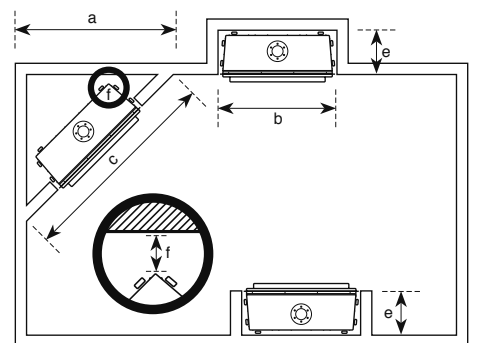
With a unique design, installation of the DV36 can be done without the need for a conventional chimney and offers the versatility of either horizontal or vertical flue systems.



- Balanced flue system
- Zero clearance installation
- Can be flued vertical or Horizontal
- Shallow 400mm depth for firebox
- Tall 440mm high glass viewing area
- Unique high efficiency heat exchange for increased heat transfer
- Thermo switch fan boost for increased convection heat
- Ceramic fibre firebox liner for increased radiant heat
- Safety screen AGA approved included
- Reflector log panel to enhance double flame effect
- Electronic pilot light ignition
- Remote control option available
- Efficient 27.8 Mj/Hr
- Output 5.9 Kilowatt



a 1180mm
b 1003mm
c 1669mm
e 405mm
f 18mm



DISTRIBUTED BY

LEGEND
GAS FIRES

www.legendgasfires.com.au